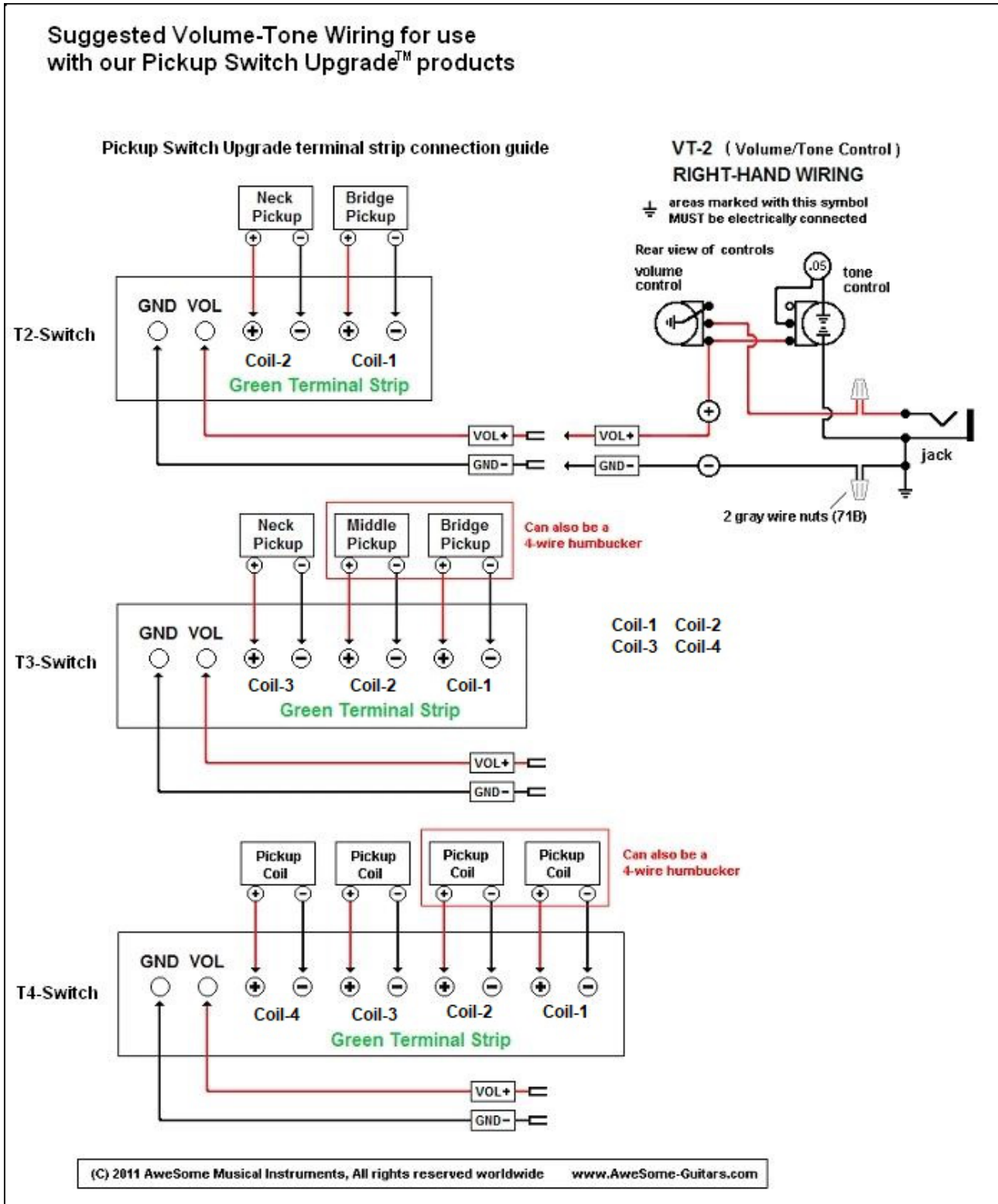


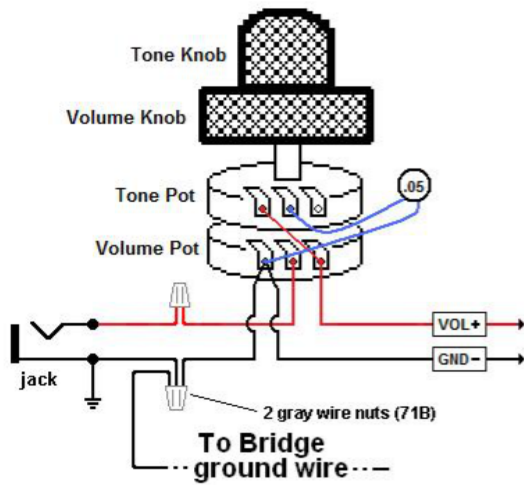
This document shows how our Volume-Tone control products are wired and how they are connected to our *high performance Pickup Switch Upgrade™* products. Wiring is shown for right-hand use. The following shows our VT-2 (500K audio-taper separate pots) for Strat, Tele and other instruments. Our VT-3 and VT-4 controls are wired similarly. For other wiring details, see our website Document Library page.



The following shows the wiring for our **VT-1** (500K audio-taper, stacked pot) for Jazz Bass or other instrument upgrades with limited body cavity space. The VT-1 is wired so the Volume pot is associated with the larger diameter control knob for easier volume swells.

### VOLUME Pot and Knob on Bottom

VT-1 KIT  
RIGHT-HAND WIRING



VT-1 KIT  
LEFT-HAND WIRING

