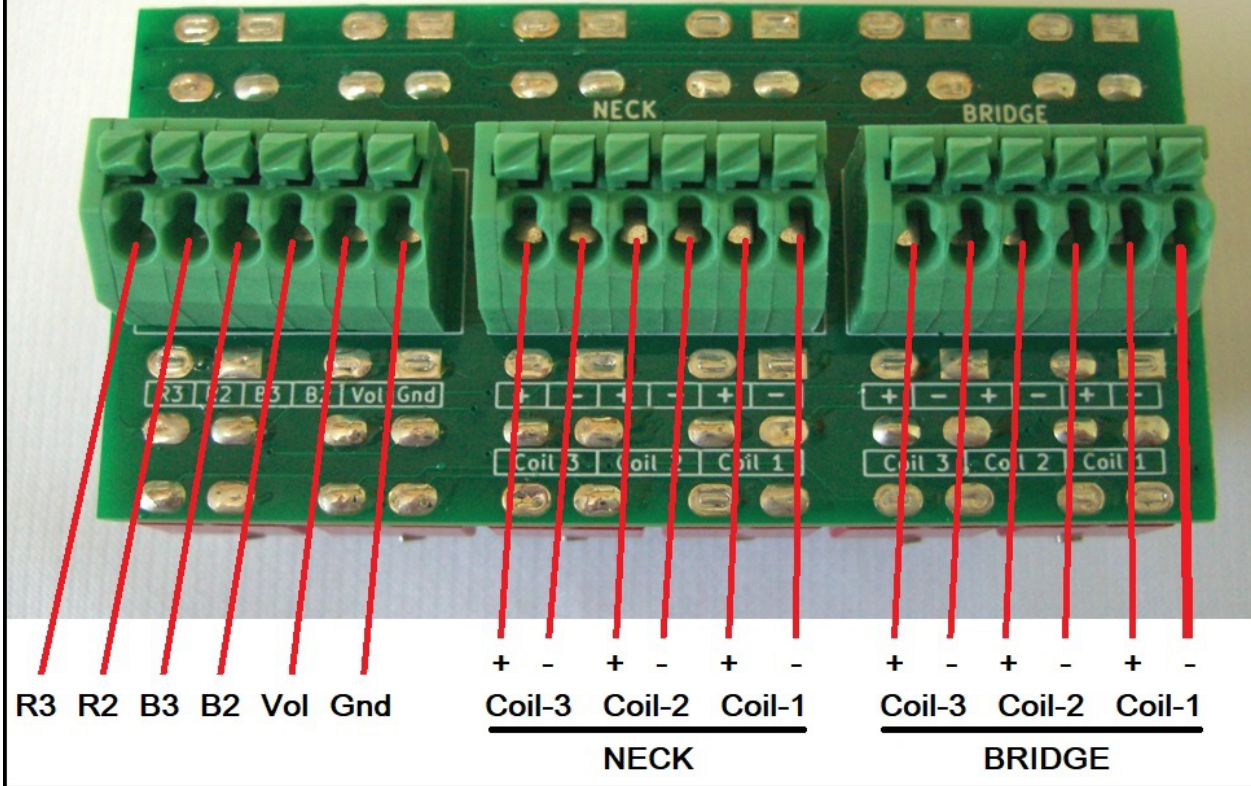


T3Plus-X Wire Connections



TriBucker Wire Color Codes and Connections

Neck TriBucker:

South Single (Coil-1): Green +, Blue –
 Middle Rail (Coil-2): White +, Black –
 North Rail (Coil-3): Yellow +, Red –

Bridge TriBucker:

South Rail (Coil-1): Yellow +, Red –
 Middle Rail (Coil-2): White +, Black –
 North Single (Coil-3): Green +, Blue –

VT-3 Volume-Tone Control Connections

The VT-3 consists of a 500K audio taper Volume pot and a 500K audio taper push-pull Tone pot. The **Volume** pot includes a Red-Black wire pair that is to be connected to the instrument output jack. Red goes to Signal, Black goes to ground. Also connect the existing Bridge Ground wire to the output jack ground wire.

The **Tone** pot includes a Red-Black wire pair: Red connects to the “Vol” terminal and Black connects to the “Gnd” terminal. The push-pull switch has a circuit board with two Red wires and two Black wires. The circuit board has silkscreened designations where these wires are connected. They are R3, R2, B3 and B2. These wires are connected to the matching terminals. Take care to connect each wire to it’s correct terminal.

Special Note: Terminals R3/R2, B3/B2 must be connected to either the matching wires of the VT-3 push-pull or must be jumpered. If not, Bridge Coil-3 and Neck Coil-1 will not produce pickup sound.