

How You Get 6 Pickup Tones Using Our T2 Pickup Switch Upgrade Product

T2-SWITCH LEGEND

Pickup Phase Switches:

SW1, SW3 are on-off-on *Phase* switches

Each switch controls one pickup coil in normal phase (Down) or reverse phase (Up)
The Center position of the switch is Off.

SW1 Controls the Bridge Pickup coil

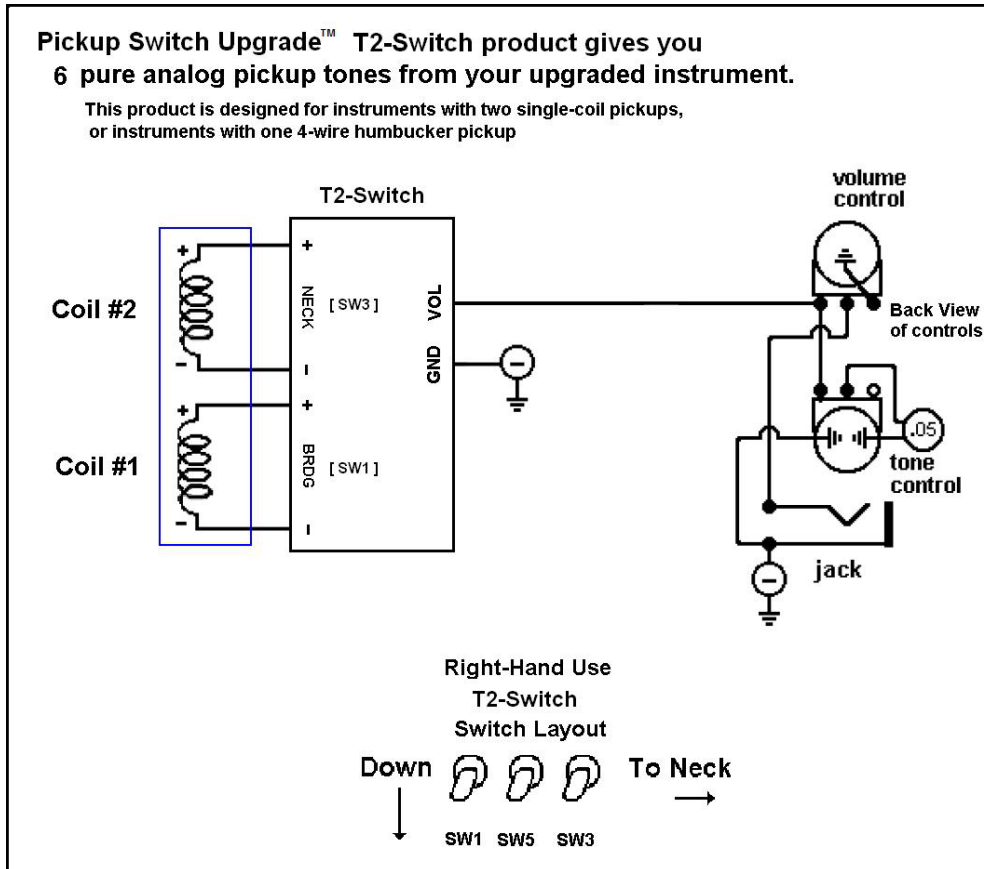
SW3 Controls the Neck Pickup coil

Pickup Connection Switches:

SW5 is an on-on *Connection* switch

When **SW5** is Down (coils are in parallel)
When **SW5** is Up (puts coils 1 & 2 in series)

ALL pickup coils that are in series MUST be on to produce sound.



Switching Proof Table (for right hand use) to get 6 Pickup Tones from two single-coil pickups, or one 4-wire humbucker pickup with our Pickup Tone Multiplier T2-Board.

(note that 2-wire humbuckers can be used where single-coil pickups are specified)

Switch legend for **SW1** and **SW3**: D = Down, U = Up, no symbol is Off (center position)

Switch legend for **SW5**: U = Up (put coils in series), no symbol is Down

(also see documents #3, #5, #6 and #A in our Document Library at www.AweSome-Guitars.com)

SWITCH COMBINATIONS USED BY T2-BOARD

| ## | SW3 | SW5 | SW1 |
|----|-----|-----|-----|
| 1. | | | D |
| 2. | D | | |
| 3. | D | | D |
| 4. | U | | D |
| 5. | D | U | D |
| 6. | U | U | D |

Your Description of the pickup sound

1. _____
2. _____
3. _____
4. _____
5. _____
6. _____